

## Model H70 Connection Head

- Heavy Duty
- Choice of Materials
  - Stainless Steel
  - Cast Iron
  - Aluminium
- Weatherproof IP68 and IP66
- Choice of Process Entries
- Flameproof - EEx de Certified
- Safety Chain

### General Description

The Model H70 is a heavy duty IP68 rated connection head which provides environmental protection for the electrical terminals on terminal blocks or temperature transmitters fitted to resistance thermometers or thermocouple insets.

The connection head can be specified as either weatherproof IP68 and IP66 or BASEEFA Approved Flameproof EEx de IIC T6 when supplied with a suitable Thermocouple Instruments Ltd sensor.

The screwed lid is available in two basic configurations, one of which may be provided with a glass window to allow the use of a temperature transmitter with integral loop powered indicator. Versions with extended lids are also available.

### Specification

#### Material of Construction

The H70 can be supplied in the following materials:-

Stainless Steel BS:3100 1976 316 C12/ C16  
Aluminium LM4/ LM25. Aluminium versions are hard anodised to ISO 10074, but may be painted on special request.

Cast Iron BS:1561 1997 Gr 200/ 220. Cast Iron versions are painted with a high temperature epoxy finish.

#### Cable Entry

The H70 can be provided with 1 or 2 cable entries, which may be either ½" NPT, ¾" NPT or M20.

#### Base Entry

Several options are available including ½" API, ½" NPT and ½" BSP(PI). The H70 head may be fitted with an 'O' ring oil seal to guard against oil ingress.



Cast Iron H70 Head, Standard Lid



Cast Iron H70 Head, Glass Window

#### Window Version

The H70 is available with a glass window, to allow use of a temperature transmitter with a loop powered indicator. Please refer to Product Data Sheet TM-AC/DLIA for details of model DL11.

#### Extended Lid

Both forms of the H70 are available with an extended lid, capable of housing two temperature transmitters in 'piggy-back' configuration.

#### IP Rating

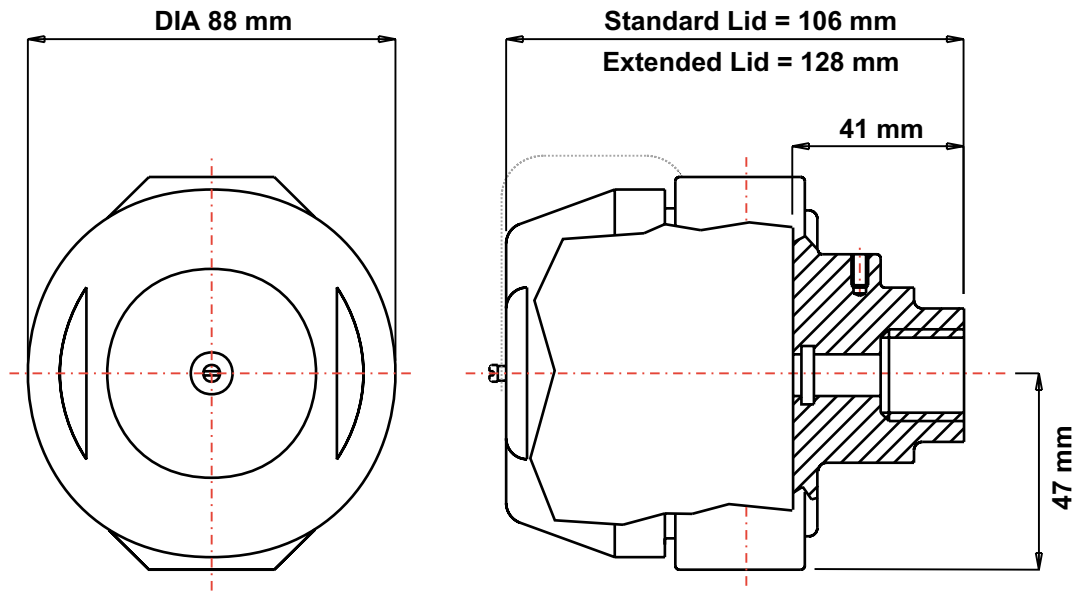
The H70 connection head is rated IP68 (40 m immersion) and IP66.

#### Electrical Classification

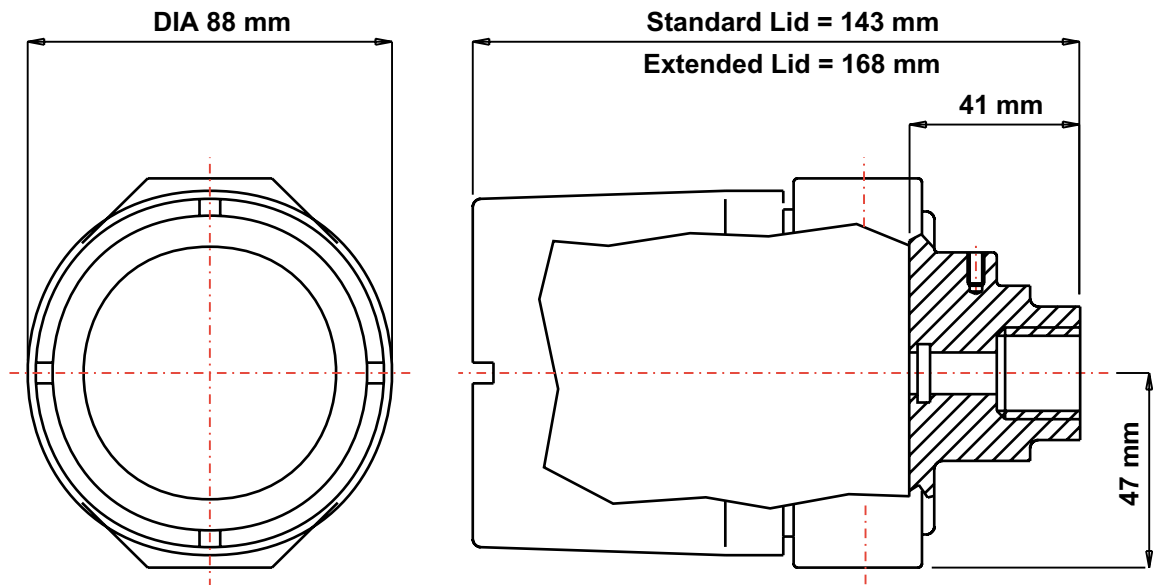
The H70 connection head is BASEEFA approved EEx de IIC T6 (Flameproof) for use in Zones 1, or 2.

## Dimensions

### Standard Lid



### Optional Lid, With or Without Glass Window



The extended lid versions can accommodate two temperature transmitters.

The extended lid version with the window can accommodate two transmitters and an indicator.

\* Depends on transmitter make and model

## Thermocouple Instruments Limited

Pentwyn, Cardiff, CF23 7XJ, UK  
 Tel: (+44) 029 20734121 Fax: (+44) 029 20734040  
 Internet: <http://www.thermocouple.co.uk>  
 E-mail: [thermocouple@thermocouple.co.uk](mailto:thermocouple@thermocouple.co.uk)