

# 微電腦型類比隔離傳送器

( MICROPROCESS ANALOG ISOLATED TRANSMITTER )

MODEL  
MAT



## 特點(FEATURES)

- 精確度0.1%滿刻度 (Accuracy 0.1%F.S.)
- 可輸入交直流電流/交直流電壓/電位計/傳送器...等信號 (Input type DCA/DCV/ACA/ACV/Potentiometer/Transmitter etc.....)
- 15BIT 類比輸出功能(15bit DAC isolating analog output function)
- 輸入與輸出絕緣耐壓2仟伏特/1分鐘(Dielectric strength 2KVac/1min. (input/output/power))
- 寬範圍交直流兩用電源設計(Wide input range for auxiliary power)
- 尺寸小、穩定性高(Dimension small and High stability)

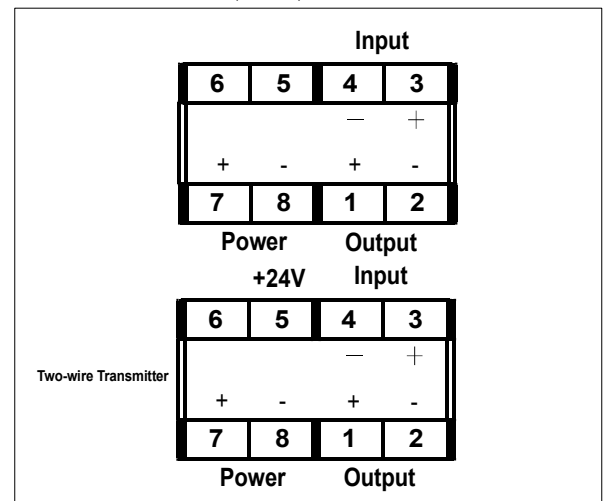
## 1:MODEL:MAT- (選購型號)

NO	Input Type	NO	DCV(ACV)	NO	DCA(ACA)	NO	Potentiometer	NO	Transmitter	NO	Output Range	NO	Aux. Power
A	DC	11	0-50mV	22	0-200uA	31	0-10%	41	DC4-20mA	A	DC0-50mV	A	AC/DC 18-60V
B	AC(RMS)	12	0-5V	23	0-2mA	32	0-50%	42	DC1-5V	C	DC1-5V	B	AC/DC 90-260V
C	AC(TRMS)	13	0-10V	24	0-20mA	33	0-100%	43	DC4-20mA	D	DC0-10V	Less 4VA for AC/DC input	
D	Potentiometer	14	0-36V	25	0-200mA	34	5-95%	44	DC1-5V	F	DC0-1mA		
E	Transmitter	15	0-54V	26	0-2A	35	10-90%	49	SPECIFIED	G	DC0-10mA		
O	SPECIFIED	16	0-110V	27	0-5A	39	SPECIFIED	41/42 nonexciting DC24V 43/44 exciting DC24V (<25mA)	I	DC4-20mA			
		19	SPECIFIED	29	SPECIFIED	Exciting Voltage DC5V(<5mA)		R	SPECIFIED				

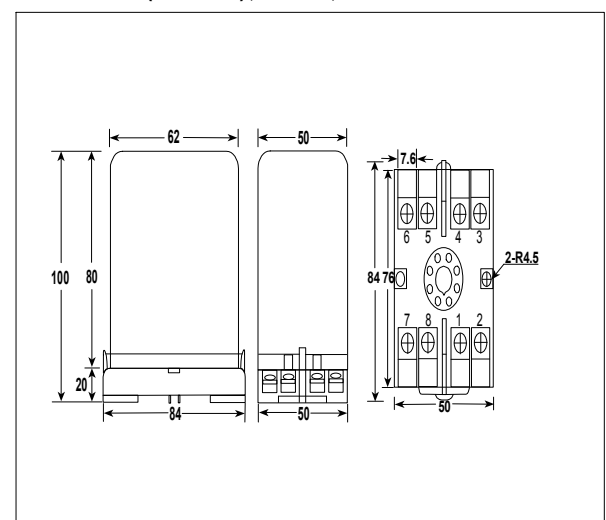
## 2.SPECIFICATION (主要規格)

- Measuring accuracy (精確度) : 0.1% F.S. (23 ± 5 )
- Readout range (顯示值範圍) : 0- ± 19999 digit adjustable
- Analog output resolution (類比輸出解析度) : 15 bit DAC
- Response time (輸出反應速度) : < 250 ms (0-90%)(>10Hz)
- Output drive capability (輸出負載能力) : < 10mA for voltage mode  
< 10V for current mode
- Output ripple (p-p) (輸出之漣波) : < 0.1% F.S.
- Zero (offset) range (歸零調整範圍) : 0- ± 19999 Digit adjustable
- Span (scale) range (最大值調整範圍) : 0- ± 19999 Digit adjustable
- Temp. coefficient (溫度係數) : 100ppm/ (0-50 )
- Display (顯示幕) : Red high efficiency LEDs high 10.16mm (0.4")
- Isolation (隔離特性) : Input/Output/Power/Case
- Parameter setting (參數設定方式) : Touch switches
- Memory mode (記憶方式) : Non-volatile E<sup>2</sup> PROM memory
- Insulation Resistance (絕緣阻抗) : >100Mohm with 500V DC
- Dielectric strength (絕緣耐壓能力) : 2KVac/1 min. (input/output/power)  
1600Vdc (input/output)
- Operating condition (使用環境條件) : 0-50 (20 to 90% RH non-condensed)
- Storage condition (存放環境條件) : 0-70 (20 to 90% RH non-condensed)
- Construction (安裝方式) : Socket/plugin type with barrier terminals

## 3.Terminal conection(接線圖)



## 4.Dimension(unit:mm)(外型尺寸)



T-10