

電位計隔離傳送器 (POTENIOMETER ISOLATED TRANSMITTER)

MODEL
TK



特點(FEATURES)

- 精確度0.1%滿刻度 (Accuracy 0.1% F.S.)
- 寬輸入範圍200ohm至50Kohm(Wide input ranges from 200ohm to 50Kohm)
- 多種輸入輸出選擇(Wide selection of input/output range)
- 輸入與輸出絕緣耐壓 2仟伏特/1分鐘(Dielectric strength 2KVac/1 min.(input/output))
- 寬範圍交直流兩用電源設計(Wide input range for auxiliary power)
- 尺寸小,穩定性高(Dimension small and High stability)

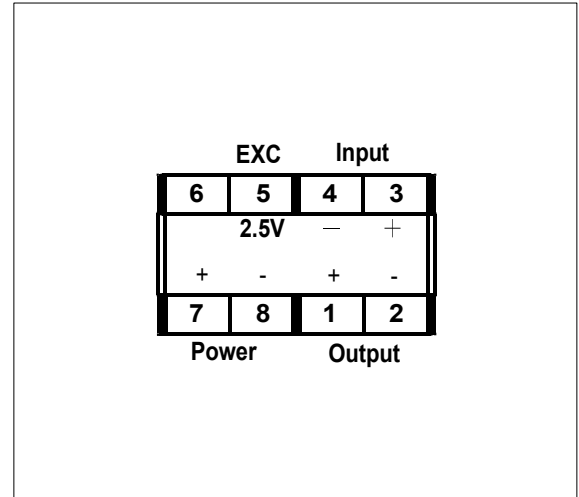
1.MODEL:TK- (選購型號)

NO	Input Range	NO	Input Range	NO	Input Range	NO	Output Range	NO	Output Range	NO	Output Range	NO	Aux. Power
1	0-10%	4	0-90%	7	0-100%	A	0-50mV	E	2-10V	I	4-20mA	A	AC/DC 18-60V
2	0-25%	5	10-90%	9	SPECIFIED	B	0-1V	F	0-1mA	R	SPECIFIED	B	AC/DC 90-260V
3	0-50%	6	5-95%			C	1-5V	G	0-10mA				Less 3VA for AC/DC input
Exciting Voltage 2.5VDC(<12.5mA)						D	0-10V	H	0-20mA				

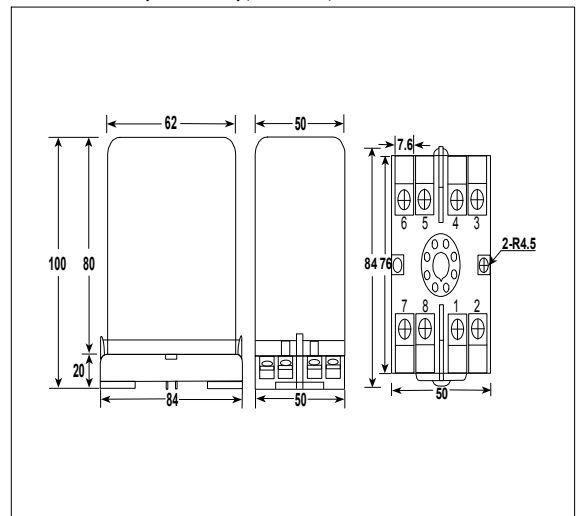
2.SPECIFICATION (主要規格)

- Measuring accuracy : 0.1% F.S. (23 ± 5)
(精 確 度)
- Response time : <250ms (0-90%)
(輸 出 反 應 時 間)
- Output drive capability : <10mA for voltage mode
(輸 出 負 載 能 力)
- Output ripple(p-p) : < 0.1% F.S.
(輸 出 漣 波)
- Zero (offset) range : 0- ± 5% F.S.
(歸 零 調 整 範 圍)
- Span (scale) range : 0- ± 10% F.S.
(最 大 值 調 整 範 圍)
- Temp. coefficient : 100ppm/ (0-50)
(溫 度 係 數)
- Isolation : Input/Output/Power/Case
(隔 離 特 性)
- Insulation Resistance : >100Mohm with 500V DC
(絕 緣 阻 抗)
- Dielectric strength : 2KVac/1 min. (input/output/power)
(絕 緣 耐 壓 能 力)
- Operating condition : 0-50 (20 to 90% RH non-condensed)
(使 用 環 境 條 件)
- Storage condition : 0-70 (20 to 90% RH non-condensed)
(存 放 環 境 條 件)
- Construction : Socket/plugin type with barrier terminals
(安 裝 方 式)

3.Terminal conection(接線圖)



4.Dimension(unit:mm)(外型尺寸)



T-2