

電阻式溫度隔離傳送器 (RTD ISOLATED TRANSMITTER)

MODEL
TP



特點(FEATURES)

- 精確度0.1%滿刻度 (Accuracy 0.1% F.S)
- 多種輸入輸出選擇(Wide selection of input/output range)
- 三線式接線自動補償線路阻抗效應(3 wire configuration automatically compensate line resistance effects)
- 寬範圍交直流兩用電源設計(Wide input range for auxiliary power)
- 尺寸小,穩定性高(Dimension small and High stability)

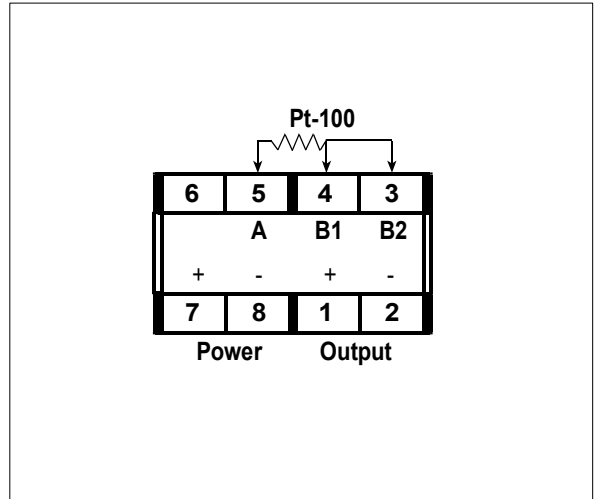
1.MODEL:TP- (選購型號)

NO	Input Range	NO	Input Range	NO	Input Range	NO	Output Range	NO	Output Range	NO	Output Range	NO	Aux. Power
1	0-50	4	0-400	7	-100-+100	A	0-50mV	E	2-10V	I	4-20mA	A	AC/DC 18-60V
2	0-100	5	0-800	9	SPECIFIED	B	0-1V	F	0-1mA	R	SPECIFIED	B	AC/DC 90-260V
3	0-200	6	-50 -+50			C	1-5V	G	0-10mA				Less 3VA for AC/DC input
DIN standard (TCR:385ppm/)						D	0-10V	H	0-20mA				

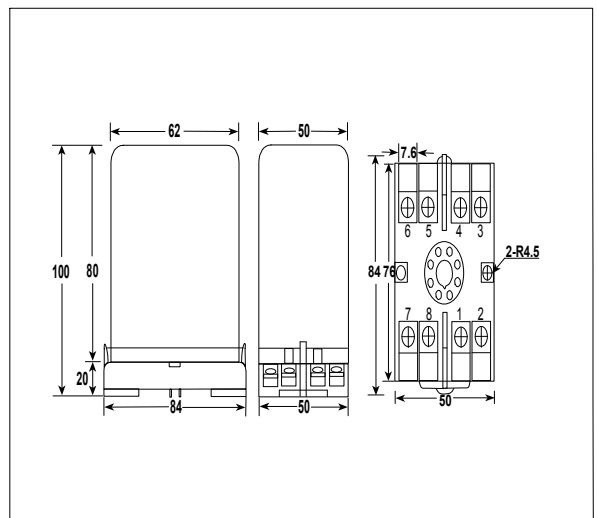
2.SPECIFICATION (主要規格)

- Measuring accuracy : 0.1% F.S. (23 ± 5)
(精確度)
- Sensing current : 2mA(<0.2V)
(感應器電流)
- Response time : < 250ms (0-90%)
(輸出反應時間)
- Output drive capability : < 10mA for voltage mode
(輸出負載能力) < 10V for current mode
- Output ripple(p-p) : < 0.1% F.S.
(輸出漣波)
- Zero (offset) range : 0- ± 5% F.S.
(歸零調整範圍)
- Span (scale) range : 0- ± 10% F.S.
(最大值調整範圍)
- Temp. coefficient : 100ppm/ (0-50)
(溫度係數)
- Isolation : Input/Output/Power/Case
(隔離特性)
- Insulation Resistance : >100Mohm with 500V DC
(絕緣阻抗)
- Dielectric strength : 2KVac/1 min. (input/output/power)
(絕緣耐壓能力) 1600Vdc (input/output)
- Operating condition : 0-50 (20 to 90% RH non-condensed)
(使用環境條件)
- Storage condition : 0-70 (20 to 90% RH non-condensed)
(存放環境條件)
- Construction : Socket/plugin type with barrier terminals
(安裝方式)

3.Terminal conection(接線圖)



4.Dimension(unit:mm)(外型尺寸)



T-4