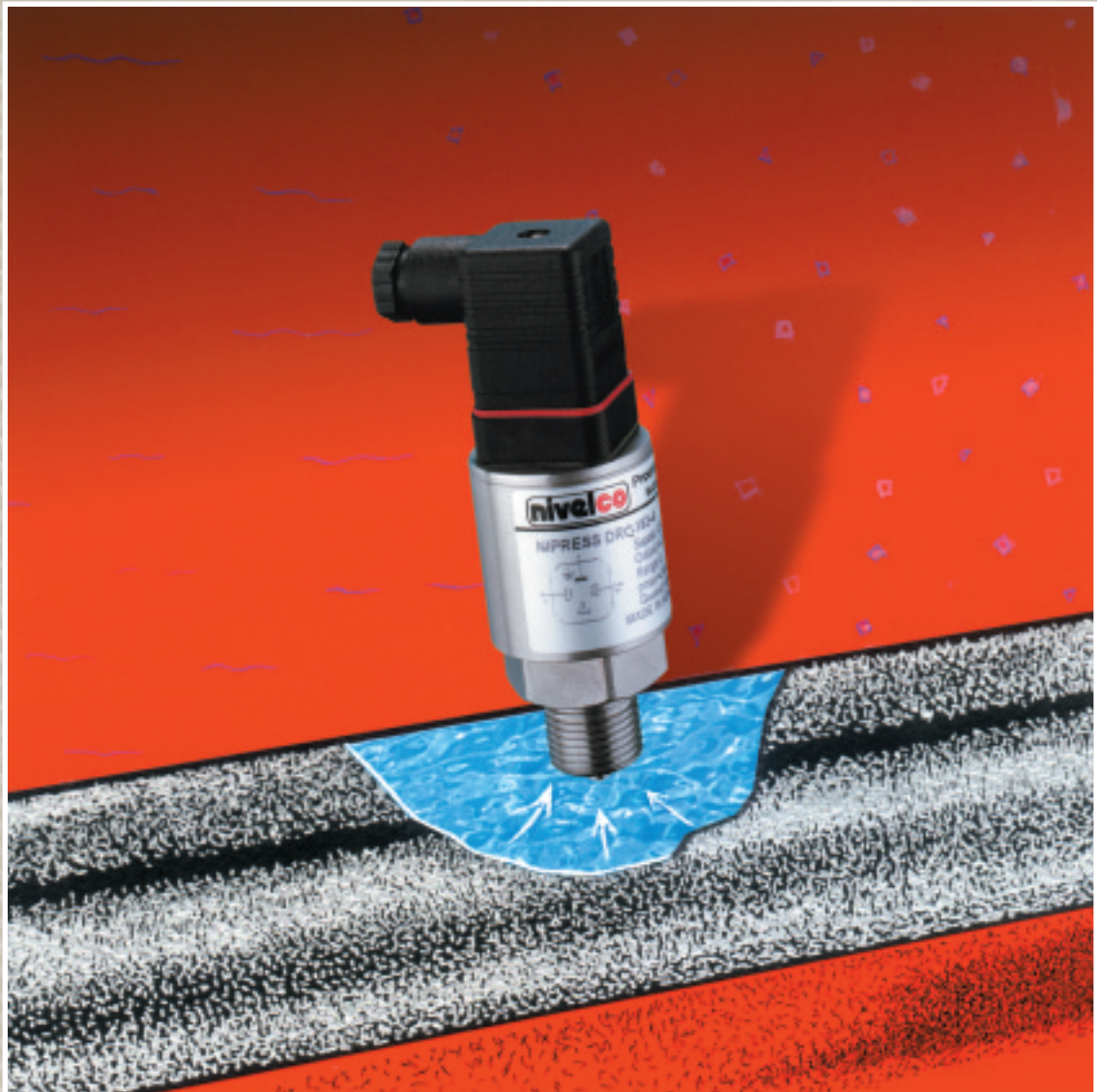


Two-wire



NIPRESS

P R E S S U R E T R A N S M I T T E R



OUR PROFESSION IS YOUR LEVEL

GENERAL

Nivelco's NIPRESS cost-efficient line of compact and rugged pressure transmitters offers performance characteristics typically found only in much more expensive devices.

Utilizing well-proven piezo-resistive ceramic sensing technology and fabricated of high quality materials and components, the NIPRESS provides excellent linearity, fast response time, high overpressure capability and a very long service life.

The NIPRESS is available either as gauge pressure transmitter, (NIPRESS DR) or as an absolute pressure transmitter, (NIPRESS DE).

APPLICATION

NIPRESS transmitters are applicable to gases as well as liquids of almost any viscosity. With wetted parts made of AISi 316 stainless steel and ceramic the NIPRESS is compatible with many corrosive fluids.

Due to its small size and mass, NIPRESS can be mounted on pipes, tanks and machines. The unit is supplied with a snap on connector. This, plus the recommended stop-valve fitted on the nozzle to which the transmitter is connected, enable the unit to be serviced very easily.

If pressure-surges can occur during the application, a pressure damping (snubber) element is recommended to reduce the risk of transmitter damage.

At temperatures in excess of 75°C the use of a condensation vessel is recommended.

TECHNICAL DATA

Measuring range	Absolute pressure: 1...400 bar, Gauge pressure: 0.3...400 bar (g) (see order code)
Overload capability	General: 1,5 times of measuring range If measuring range < 1 bar: max. 1,5 bar
Wetted parts	Diaphragm : ceramic Al ₂ O ₃ Diaphragm seal: see order code Process connection: St. St. (AISI 321, DIN 4541)
Temperature range	Process Ambient -30 °C ... + 100 °C -20 °C ... + 80 °C
Accuracy (at 20 °C)	± 0,25 %, if measuring range < 1 bar: ± 0,5 %
Temperature coefficient	if measuring range ≥ 1 bar: ± 0,2 % / 10 °C , if measuring range < 1 bar: ± 0,35 % / 10 °C
Effect of operating voltage	± 0,05 % / 10V
Settling time	< 20 ms
Output	4-20 mA, two wire loop powered
Operating voltage range	12-30 V DC
Max. load resistance (Ohm)	$R = \frac{U(V) - 12 V}{0.02 A}$ U = power supply voltage
Process connection	See order code
Sealing of process connection	According to EN 837-1 (not provided)
Electrical connection	DIN 43650-A connector, with cable gland Pg 11
Ingress protection	IP 65 (IEC 529)
Electrical protection	Class III.
Weight	Approx. 0.3 kg (depending on process connection)

ORDER CODE

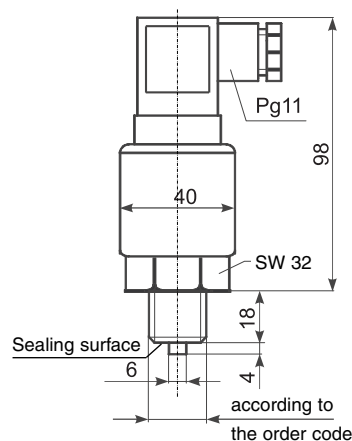
NIPRESS D [] [] - 1 [] [] []

MEASUREMENT	CODE	MEASURING RANGE	CODE*	SEAL	CODE
Gauge pressure	R	0 - 0.3 bar	0	FPM (Viton)	1
Absolute	E	0 - 0.5 bar	1	EPDM	2
		0 - 1.0 bar	2	NBR (Perbunan)	3
		0 - 1.6 bar	3	PTFE	4
		0 - 2.5 bar	4	FKM (Fluorin rubber)	5
		0 - 4 bar	5		
		0 - 6 bar	6		
		0 - 10 bar	7		
		0 - 16 bar	8		
		0 - 25 bar	9		
		0 - 40 bar	A		
		0 - 60 bar	B		
		0 - 100 bar	C		
		0 - 160 bar	D		
		0 - 250 bar	E		
		0 - 400 bar	F		

PROCESS CONNECTION	CODE	OPERATING VOLTAGE	CODE
1/4" BSP	A	12-30 V DC	4
3/8" BSP	B		
1/2" BSP	C		
3/4" BSP	D		
M20x1.5	E		
1/4" NPT	F		
1/2" NPT	G		

* Units with reduced range also available

DIMENSION



WIRING

