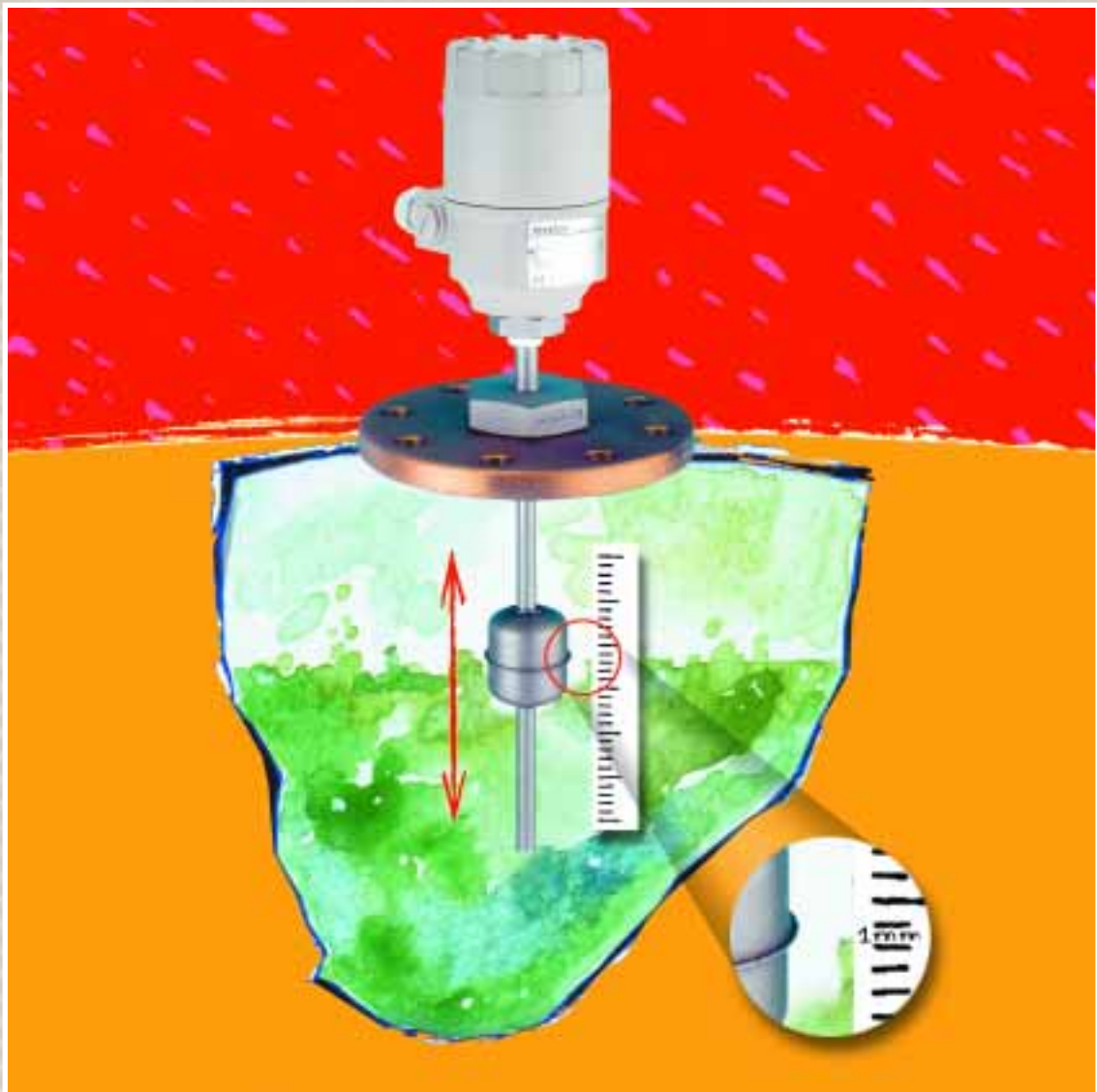


Two-wire



NIVOTRACK

MAGNETOSTRICTIV LEVEL TRANSMITTER



OUR PROFESSION IS YOUR LEVEL

"NIVOTRACK MT-200" – HIGH ACCURACY AT AN AFFORDABLE PRICE

The NIVOTRACK **MT-200** has been developed to provide a low cost solution for the accurate level metering for small and medium sized vessels. Its high temperature and pressure rating enables its use for hard process applications as well, where the medium is of low viscosity and free of mechanical contamination. The NIVOTRACK serves as an excellent level metering device for solvents, oil derivatives and alcohols.

GENERAL

The NIVOTRACK **MT-200** is a loop powered highly linear float level transmitter working on the magnetostrictive principle. Its high precision renders the NIVOTRACK **MT-200** suitable for custody transfer applications as well.

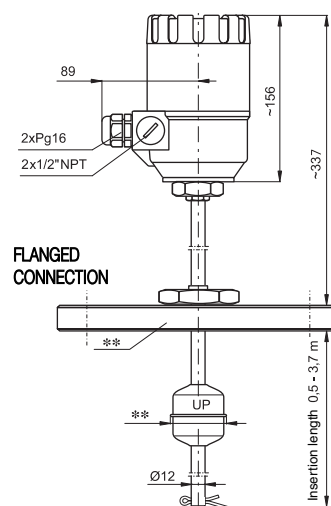
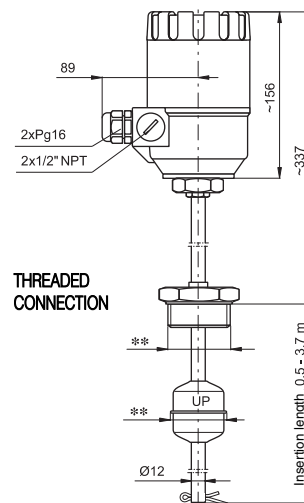
OPERATION

The float containing a magnetic disc moves along a guide tube with the specific magnetostrictive wire in it. A pulse generated by the electronics travels along the magnetostrictive wire. When the pulse reaches the float's magnetic field, a twist develops in the wire. Reflected from the torsion point, the pulse creates an acoustic wave that travels back along the wire. The 4...20 mA output of the transmitter is proportional to the elapsed time between the excitation and detection. The output can be configured for either normal operation (4 mA bottom, 20 mA top) or reverse operation (4 mA top, 20 mA bottom). Span and zero are field programmable.

TECHNICAL DATA

TYPE	MT □ - 2 □ □ - □
Insertion length	0.5 m ... 3.7 m according to the order codes
Accuracy	±0.04% or ±1 mm
Linearity	±0.035% or ±0.8 mm
Repeatability	±0.01% or ±0.4 mm
Process pressure	2.5 MPa (25 bar)
Medium density	min. 0.7 g/cm ³ for cylindrical float min. 0.5 g/cm ³ for ball-float
Medium viscosity	max. 100 centipoise
Process temperature	-40 °C ... +130 °C ; for Ex version: -40 °C ... +70 °C
Ambient temperature	-40 °C ... +70 °C
Float dimensions/material	Ø 52 mm or Ø 96 mm / 1.4571
Wetted parts	Stainless steel 1.4571
Output	Normal op.: 4 mA bottom... 20 mA top ; Reverse op.: 20 mA bottom...4 mA top *
Output damping	Settable: 1 sec or 5 sec
Supply voltage	10.5 ... 36 V DC
Maximum load resistance	$R_L = (U_i - 10.5V) / 0.02 A$ $U_i =$ voltage of the power supply
Ex power supply	$U_{max} = 28.4 V DC$ $I_{max} = 99 mA$ $P_{max} = 0.67 Watt$
Ex certification	EEx ia IIB T5
Electrical protection	Class III
Ingress protection	IP 67
Process connection	In accordance with the order codes
Electrical connection	2 x Pg 16 and 2 x 1/2" NPT shielded cable: 0.75 ... 1.5 mm ²
Electronic housing	Paint coated aluminium
Mass	2.2 kg + probe 0.35 kg/m

DIMENSIONS



** In accordance with the order codes

Technical specification may be changed without notice

ORDER CODE

NIVOTRACK M - 2 -

MODEL	CODE	CONNECTION	CODE	INSERTION LENGTH	CODE	INSERTION LENGTH	CODE	FLOAT / EX	CODE
Transmitter	T	1" BSP	A	0 m	0	0 m	0	Ball-float Ø 95	1
		2" BSP	C	1 m	1	0,1 m	1	Cylindrical float Ø 52	2
		1" NPT	D	2 m	2	0,2 m	2	Ball-float Ø 95 / Ex ***	5
		2" NPT	G	3 m	3	0,3 m	3	Cylindr float Ø 52/ Ex ***	6
		DN 80 PN 25 1.4571	P			0,4 m	4	*** pending	
		DN 100 PN 25 1.4571	R			0,5 m	5		
		DN 125 PN 25 1.4571	S			0,6 m	6		
						0,7 m	7		
						0,8 m	8		
						0,9 m	9		

* Note: reverse operation on request (20 mA bottom, 4 mA top)

NIVELCO PROCESS CONTROL CO.

H-1043 BUDAPEST, DUGONICS U. 11.

TEL.: (36-1) 369-7575 ♦ FAX: (36-1) 369-8585

E-mail: sales@nivelco.com http://www.nivelco.com