



NIVOPRESS

HYDROSTATIC LEVEL TRANSMITTER



OUR PROFESSION IS YOUR LEVEL

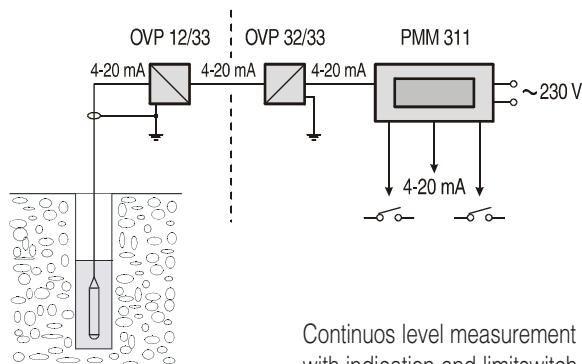
GENERAL

The two-wire level transmitter consists of a special, breathing cable containing a capillary pipe and a stress-resistant inlet and of a probe. The probe is a stainless steel cartridge with a membrane at the bottom that is protected by a plastic covering cap with holes. The level metering is based on the measuring of the pressure difference between the hydrostatic pressure of the liquid head above the probe and the actual atmospheric pressure. This pressure difference is converted into a 4 to 20 mA output signal by the ceramic transducer (attached to the stainless steel membrane) and the electronics.

APPLICATION

The **NIVOPRESS NPK** submersible hydrostatic level transmitter is applicable to clean or chemically faintly contaminated liquids in boreholes, open reservoirs and tanks. It is easy to install in already existing tanks and in deep boreholes and is especially recommended for monitoring and controlling of submersible pumps. The low cost NPK-2 version is available up to 20 m w. h. only, i. e. the models NPK-21 to NPK-25. For outdoor applications overvoltage protection (OVP as option) is recommended. To ease installation use a terminal box (option).

APPLICATION EXAMPLE



TECHNICAL DATA

TYPE	HYDROSTATIC LEVEL TRANSMITTER	
	NPK-1	NPK-2
Range	20–200 m w. h.	0–20 m w. h.
Overload	max. 100%	
Output	4 to 20 mA	
Accuracy on full scale	< 0.5%	
Linearity	< 0.2%	
Temperature coefficient	± 0.05% / 10°C	
Offset error	± 0.1 mA	
Operating voltage	9 to 30 V DC	
Maximum load resistance	$R = \frac{U_i - 9V}{0.02 A} \text{ Ohm}$	
Protection	IP 68	
Operating temperature	–10°C to 60°C	
Material	Probe	Stainless steel
	Cable	Polyurethane
Dimensions	Probe	Ø 28 x 185 mm Ø 22 x 175 mm
	Cable	7 mm

ORDER CODE

NIVOPRESS NPK

MEASURING RANGES	CODE	CABLE LENGTH	CODE
up to 1 m w. h.	1	1 m–300 m w. h.	001–300
up to 2 m w. h.	2		
up to 5 m w. h.	3		
up to 10 m w. h.	4		
up to 20 m w. h.	5		
up to 50 m w. h.	6		
up to 100 m w. h.	7		
Other	X		

VERSION	CODE
Ø 28 mm over 20 m w. h.	1
Ø 22 mm max. 20 m w. h.	2

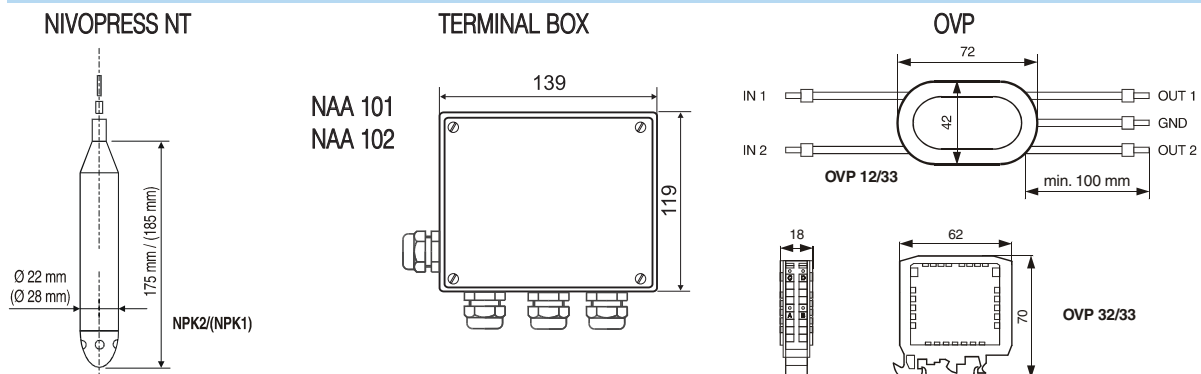
TERMINAL BOX

NAA 101 (IP 65)	without OVP
NAA 102 (IP 65)	with OVP 12/33

OVERVOLTAGE PROTECTION

TYPE	OVP 12/33	OVP 32/33
Mounting	Field	DIN rail
Protection	IP 54	IP 30
Voltage clipping	Slow: 90 V _{pp} , Fast: 33 V _{pp}	
Serial resistance	13 ohm ± 2 Ohm	
Pulse power	600 W / 1 ms	

DIMENSIONS



NIVELCO PROCESS CONTROL CO. LTD.

H-1043 BUDAPEST, DUGONICS U. 11.

TEL.: (36-1) 369-7575 ♦ FAX: (36-1) 369-8585

E-mail: sales@nivelco.hu <http://www.nivelco.hu>