



THERMOCONT, UNICONT

TEMPERATURE TRANSMITTERS, FIELD INDICATORS



- ◆ Heavy duty
- ◆ Two-wire
- ◆ 3,5 digit 18mm LCD display
- ◆ Intrinsically safe

GENERAL

The THERMOCONT TT/TD/TB is a series of two-wire heavy duty temperature measuring, indicator and/or transmitter devices with Pt 100 sensors in 3 versions (and 3 temperature ranges) as listed below:

TT-... temperature transmitter

TD-... temperature indicator

TB-... temperature indicator/transmitter

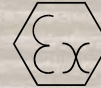
The UNICONT PDT-301 is a universal two-wire field indicator.

APPLICATION

The THERMOCONT indicators and transmitters are designed for the harsh industrial process world and offer ideal solution for all cases where features of the Pt100 sensor are satisfying. The probes are available both with Class B and Class A Pt sensors.

The UNICONT PDT-301 is a general purpose, two-wire, field indicator with a 4 to 20 mA input signal range for indication of process values of temperature, pressure, level, flow etc.

The input signal range can be adjusted to the value displayed.



TB30A0A3

TECHNICAL DATA

TYPE	THERMOCONT			UNICONT PDT-301
	T □ □ - □ 1 □ □	T □ □ - □ 2 □ □	T □ □ - □ 5 □ □	
Temperature/input signal range	-50°C to +100°C	-50°C to +200°C	-50°C to +600°C	4 to 20 mA
Power supply/Voltage drop	12...30 V DC			1,5 V _{max}
Display	3,5 digit 18 mm LCD			
Display resolution	0,1°C	0,1°C	1°C	max. 0,004mA/dig
Display accuracy with Class A Pt sensor with Class B Pt sensor	±0,5°C ±1°C	±0,7°C ±1,5°C	±3°C ±5°C	0,1% ±1 digit
Display temperature coefficient	±0,15%/10°C			±0,25%/10°C
Display zero adjustability	n.a.			±1000 digits
Display span adjustability	n.a.			±1999 digits
Sensor breaking indication	Display of "1" (with TD and TB)			n.a.
Output current zero offset	-50°C to +50°C	-50°C to +150°C	-50°C to +450°C	n.a.
Output current span	min. 50°C	min. 100°C	min. 150°C	n.a.
Output current accuracy	with Class A sensor: 50 µA with TT; 75 µA with TB with Class B sensor: 100 µA with TT; 125 µA with TB			n.a.
Temperature coefficient	0,003mA/°C			n.a.
Current with sensor breaking	I _{max} 22...25 mA (with TT and TB)			n.a.
Reference temperature	25°C ±2°C			n.a.
Pressure	max. 2,5 MPa			n.a.
Ambient temperature	-25°C... +80°C			
Mechanical protection	IP 65			
Materials	housing	paint coated		
	probe	SS316 Ti stainless, double wall		
Certificate of conformity	EEx ia IIC T6-T1 (BKI)			EEx ia T5-T6 (TUV)

ORDER CODE

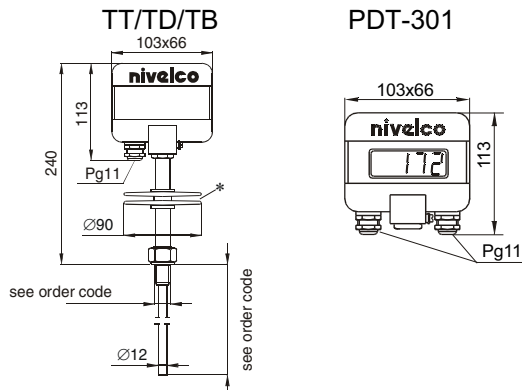
Temperature indicator/transmitter THERMOCONT T □ □ - □ □ □

Design	Code	Probe	Code	Process connection	Code	Measuring range	Code	Protrusion	Code
Transmitter	T	Sensor class B	P	M20x1,5	3	-50°C...+100°C	1	160 mm	1
Indicator	D	Sensor class A	A	BSP 1/2"	4	-50°C...+200°C	2	250 mm	2
Transm./Indicator	B			NPT 1/2"	5	-50°C...+600°C	5	400 mm	3
								500 mm	4
								1000 mm	5
								1500 mm	6
								2000 mm	7
								2500 mm	8
								3000 mm	9

ORDER EXAMPLE: THERMOCONT TDP-325
Temperature indicator, range -50°C...+200°C, protrusion 1000 mm.

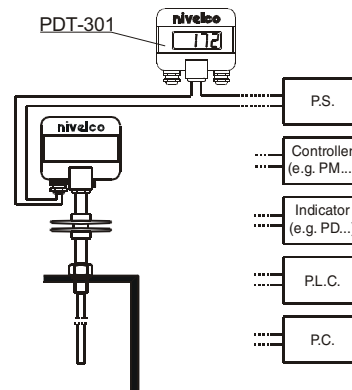
Universal field indicator UNICONT P D T - 3 0 1

DIMENSIONS



*only with T>200°C

APPLICATION



Technical specification may be changed without notice

NIVELCO PROCESS CONTROL CO.

H-1043 BUDAPEST, DUGONICS U. 11.

TEL.: (36-1) 369-7575 ◆ FAX: (36-1) 369-8585

E-mail: sales@nivelco.hu http://www.nivelco.com