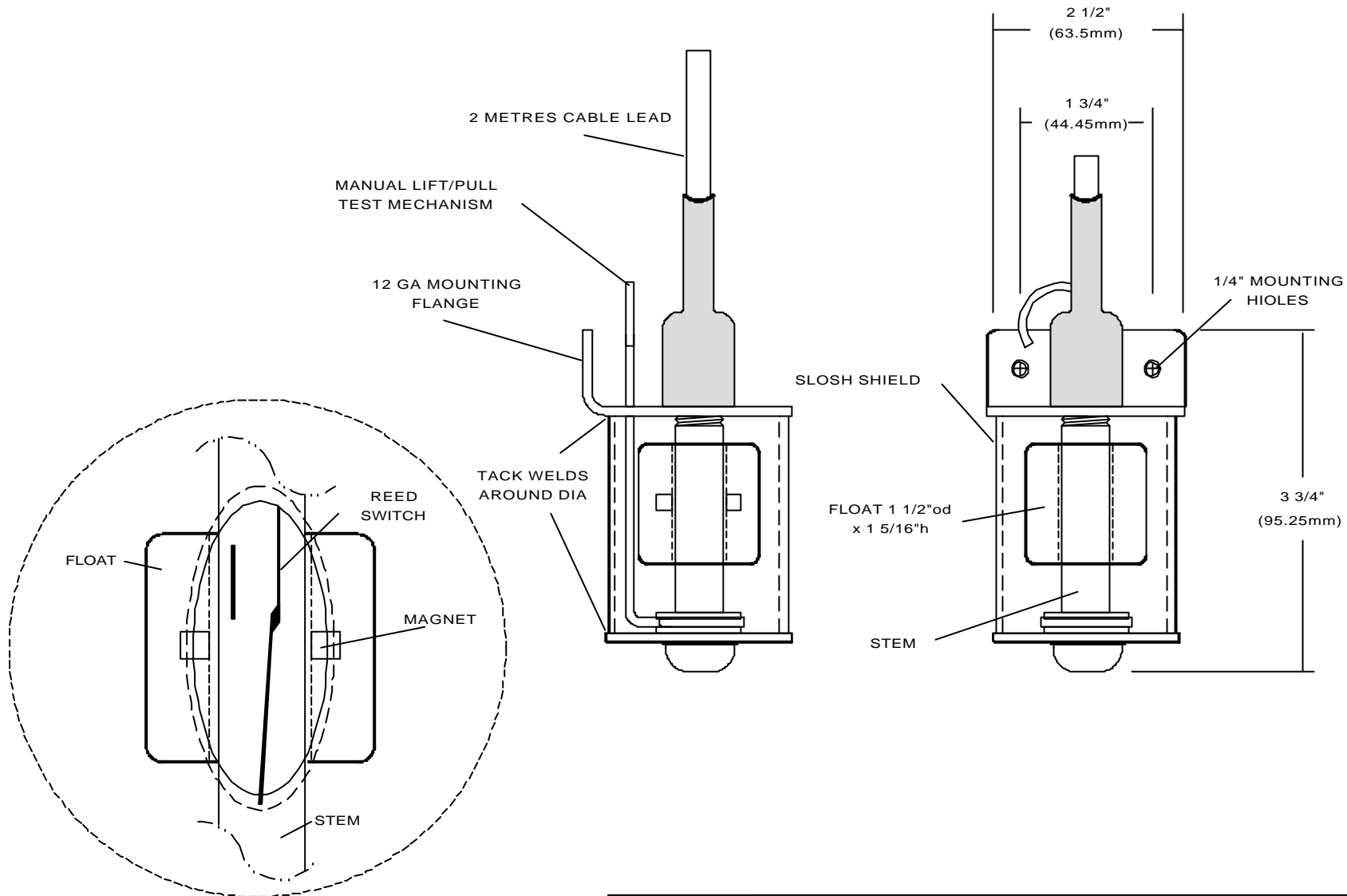


SALES DRAWING ONLY
NOT TO BE USED FOR MANUFACTURE



INSTRUMENTATION LIMITED
HAYWARDS HEATH WEST SUSSEX

SCALE
NTS

UNLESS OTHERWISE STATED DIMENSIONS ARE IN
MILLIMETRES / ~~INCHES~~

TITLE

BILGE SWITCH

DRAWING NO

S001118-MIS-DD

A4

SHT 1
OF 1

ISSUE	A
DATE	18-11-99
DCR	
DRAWN	JEK
CHECKED	